

Kartel STEEL SPACER HOLDER

APPLICATION

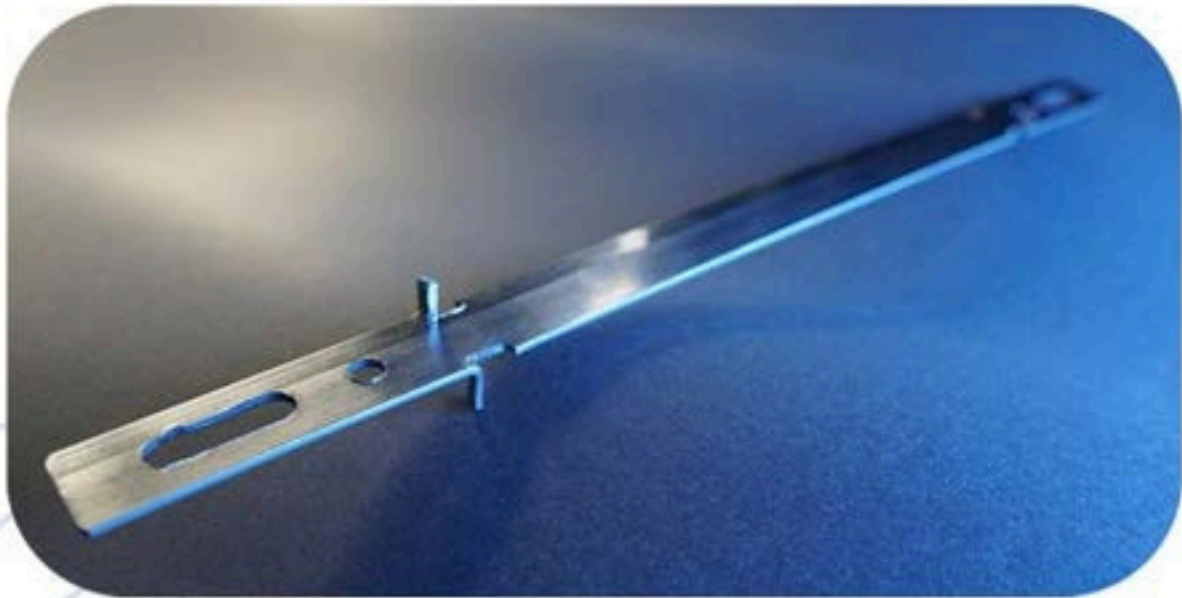
Keeps formwork distance consistent for concrete walls.

DIMENSIONS

- Length : 10–100 cm • Tolerance : ± 1 mm
- Thickness : 1.6 mm • Packaging: 100 pcs/pallet

INSTALLATION

Wall	Height	Spacer
10–20(cm)	2–3(m)	25 cm
10–20(cm)	3–4(m)	20 cm
25–40(cm)	2–3(m)	20 cm
25–40(cm)	3–4(m)	15 cm
45–100(cm)	2–4(m)	15 cm



**Pole Clamps – 2.5 mm
Galvanized Steel (EU Certified)**



**Shims – 5 mm
Hot-Rolled Steel**





Kartel ANCHOR 80 mm

Hanger for beams
Directly attaches to the structure
(wooden or other types of beams), and
CD profiles are mounted on them.

Material: Galvanized steel sheet 0.8 mm

Pack: 100pcs / 1

Note: Product is certified

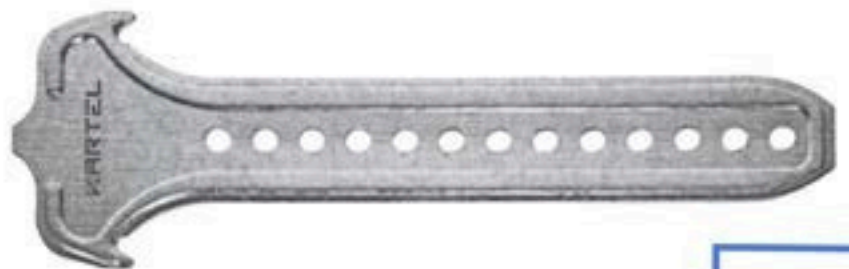
Kartel ANCHOR 170 mm

Hanger for beams
Directly attaches to the structure
(wooden or other types of beams), and
CD profiles are mounted on them.

Material: Galvanized steel sheet 0.8 mm

Pack: 100 pcs / 1

Note: Product is certified





Kartel CD 60 SPACER

Used when the space between the load-bearing structure and the suspended ceiling is small, or in situations where the system does not allow the use of other CD profile hangers for suspended ceilings, cladding of attic areas, or thin wall coverings.

Material: Galvanized steel sheet 0.8 mm

Pack: 100 pcs / 1

Note: Product is certified

Kartel CD 60 SPACER PREMIUM

CD 60 spacer, reinforced, without ribs.
Used when the space between the load-bearing structure and the suspended ceiling is small, or in situations where the system does not allow the use of other CD profile hangers for suspended ceilings, cladding of attic areas, or thin wall coverings.

Material: Galvanized steel sheet 0.8 mm

Pack: 100 pcs / 1

Note: Product is certified



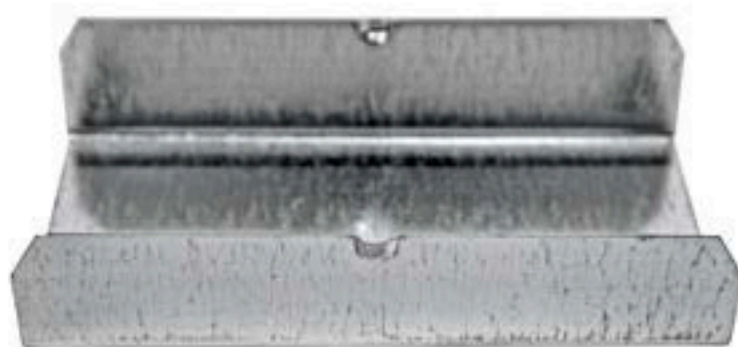
Kartel EXTENSION CONNECTOR CD 60

Used for longitudinal extension of CD profiles.

Material: Galvanized steel sheet 0.5 mm

Pack: 100 pcs / 1

Note: Product is certified



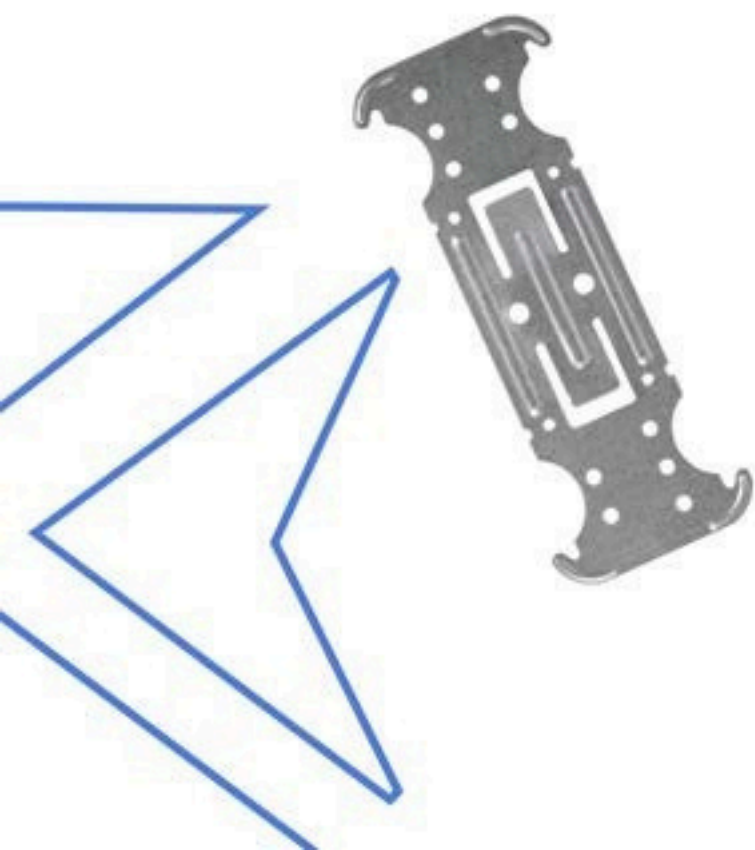
Kartel CROSS CONNECTOR CD 60

The cross connector is used to connect CD profiles that intersect one above the other in suspended ceilings under normal load.

Material: Galvanized steel sheet 0.8 mm

Pack: 100 pcs / 1

Note: Product is certified



Kartel DOUBLE SPRING CLIP

The double spring clip is used for extending wires with an eyelet during the installation of suspended ceilings. It allows controlled adjustment of the suspended ceiling height.

Material: Steel sheet Č1731, 0.8 mm

Pack: 100 pcs / 1

Note: Product is certified



Kartel HANGER FOR WIRE CD 60 – ANKERFIX

Anker hanger with a spring, without a safety lock, for securing CD profiles. Used as a hanger for suspended gypsum board ceilings.

Material:

Galvanized steel sheet 0.8 mm

Steel sheet Č1731, 0.8 mm

Pack: 100 pcs / 1

Note: Product is certified





Kartel WIRE WITH EYELET

Ø 3.9 – 0.125 m

Pack: 50 pcs / 1

Note: Product is certified

Kartel WIRE WITH EYELET

Ø 3.9 – 0.250 m

Pack: 50 pcs / 1

Note: Product is certified

Kartel WIRE WITH EYELET

Ø 3.9 – 0.375 m

Pack: 50 pcs / 1

Note: Product is certified

Kartel WIRE WITH EYELET

Ø 3.9 – 0.500 m

Pack: 50 pcs / 1

Note: Product is certified

Kartel WIRE WITH EYELET

Ø 3.9 – 0.750 m

Pack: 50 pcs / 1

Note: Product is certified

Kartel WIRE WITH EYELET

Ø 3.9 – 1 m

Pack: 50 pcs / 1

Note: Product is certified

Kartel WIRE WITH EYELET

Ø 3.9 – 1.5 m

Pack: 50 pcs / 1

Note: Product is certified

Kartel WIRE WITH EYELET

Ø 3.9 – 2 m

Pack: 50 pcs / 1

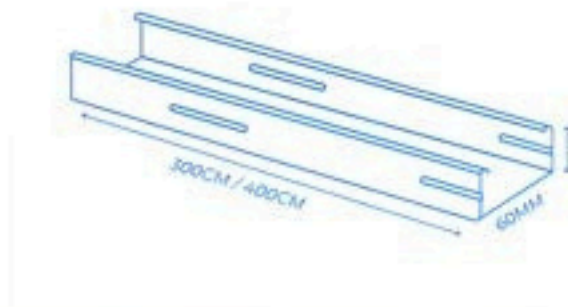
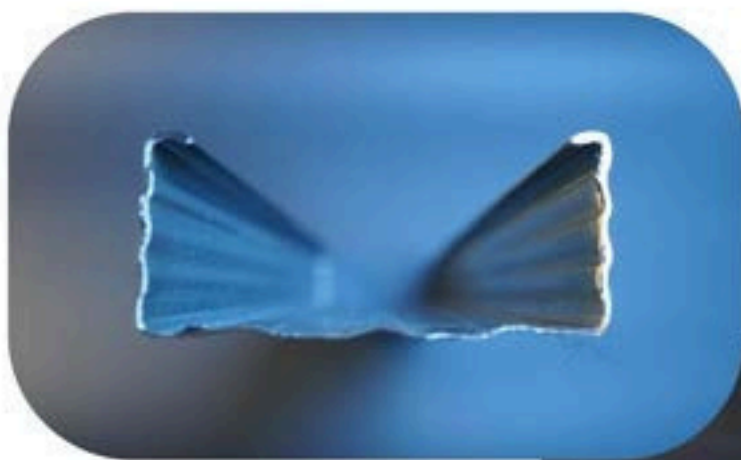
Note: Product is certified

Kartel CD PROFILE 60

CD profiles are used for constructing metal substructures for suspended ceilings and wall claddings. They are made of galvanized sheet metal with a C-shaped cross-section, 60 mm wide.

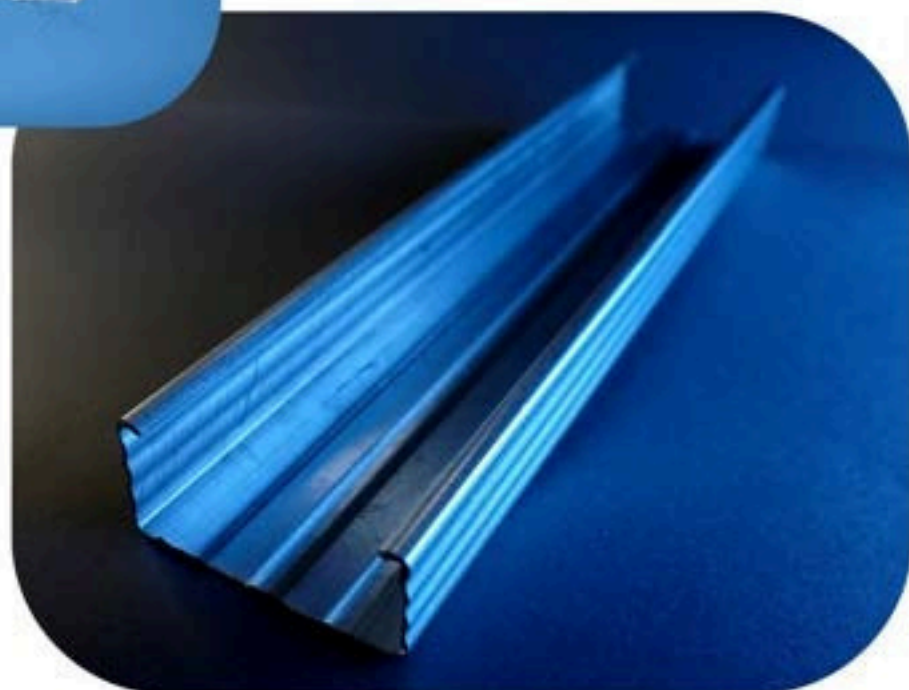
CD profiles come in four variants:

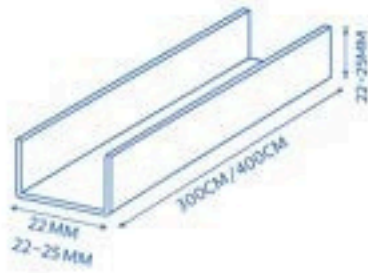
- BASIC CD PROFILE 60 (3m / 4m) – sheet thickness 0.50 mm
- SUPER CD PROFILE 60 (3m / 4m) – sheet thickness 0.60 mm



Material: Galvanized sheet metal
DX51D + Z100

Width: 60 mm
Height: 27 mm
Length: 300 cm / 400 cm
Pack: 12 pcs / 1
Auto Bundle: 144 pcs / 1



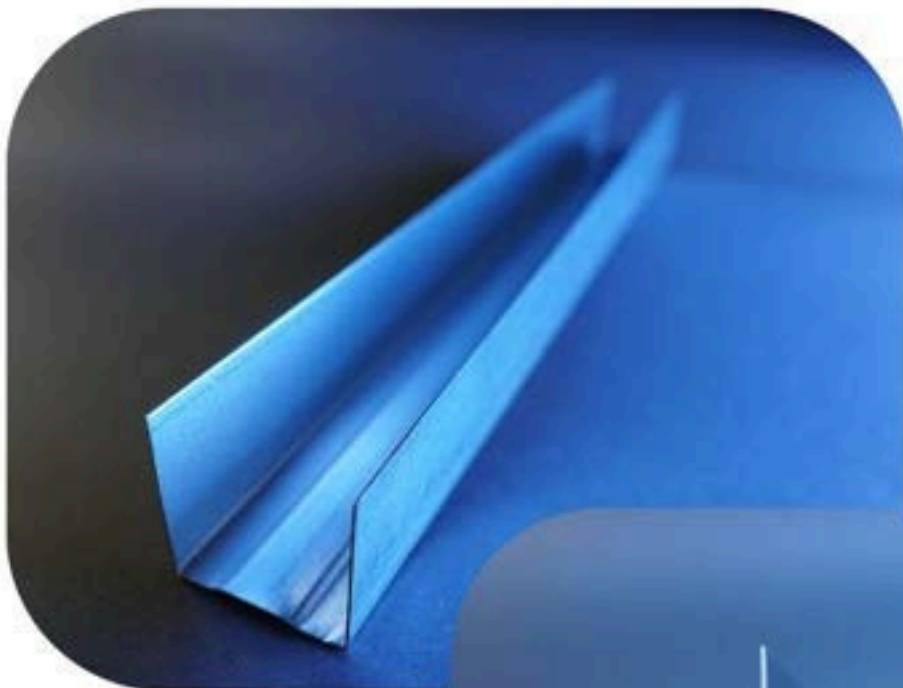


Kartel UD PROFILE 28

UD profiles are used for receiving CD profiles and fixing the entire structure of the suspended ceiling. They are mounted to walls and are primarily intended for the construction of suspended ceilings and wall claddings. Made of galvanized sheet metal with a U-shaped cross-section, 28 mm wide.

UD profiles are available in four variants:

- BASIC UD PROFILE 28 (3m / 4m) – sheet thickness 0.50 mm
- SUPER UD PROFILE 28 (3m / 4m) – sheet thickness 0.60 mm



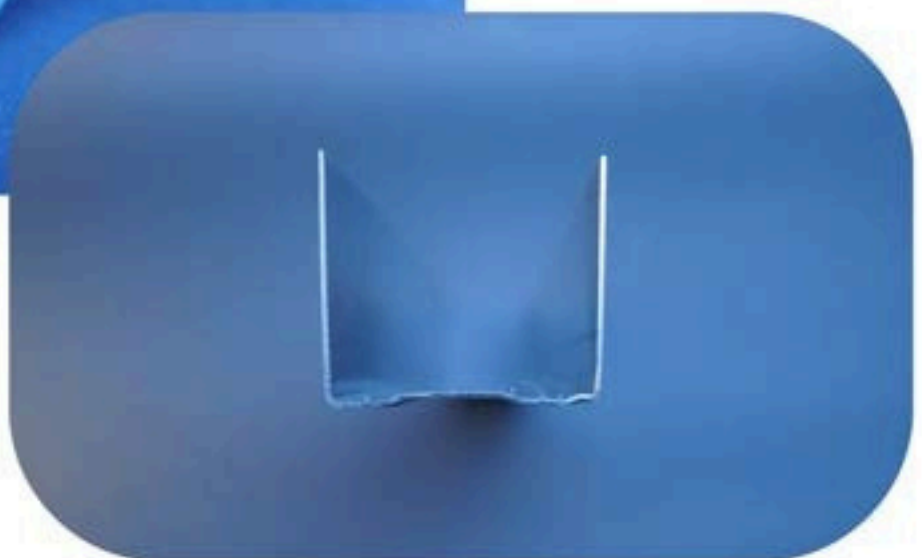
Material: Galvanized sheet
DX51D + Z100

Width: 28 mm
Height: 27mm

Length: 300 cm / 400 cm

Pack: 16 pcs / 1

Auto Bundle: 192pcs / 1

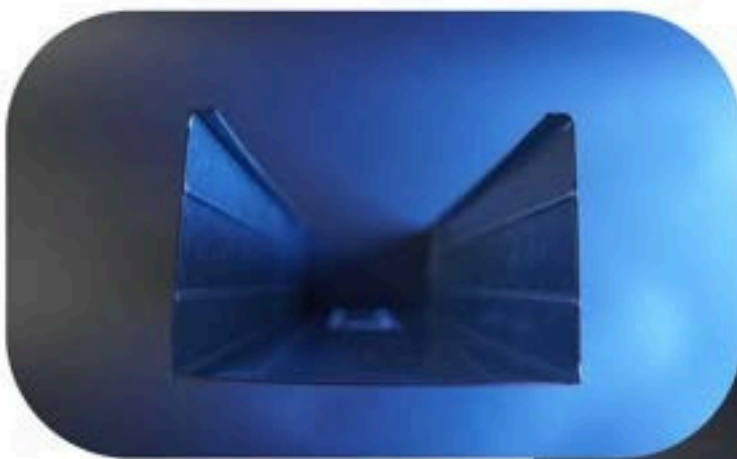
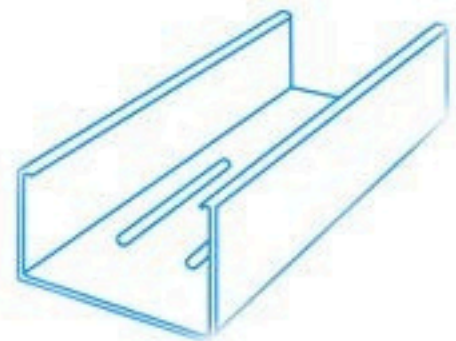


Kartel CW PROFILE

CW profiles are used as substructures for the construction of partition walls in all variations. For building partitions, wall cladding, and attic coverings, a metal framework is used, composed of CW and UW profiles. For easier installation of electrical wiring, the profile includes factory-cut H-shaped openings. Made of galvanized sheet metal with a C-shaped cross-section, available in widths of 50 mm, 75 mm, and 100 mm.

CW profiles are available in BASIC (0.50 mm), and SUPER (0.60 mm) thickness options, and in the following variants:

- CW PROFILE 50 (3m / 4m)
- CW PROFILE 75 (3m / 4m)
- CW PROFILE 100 (3m / 4m)



Material: Galvanized sheet
DX51D + Z100

Widths: 50 mm / 75 mm / 100 mm

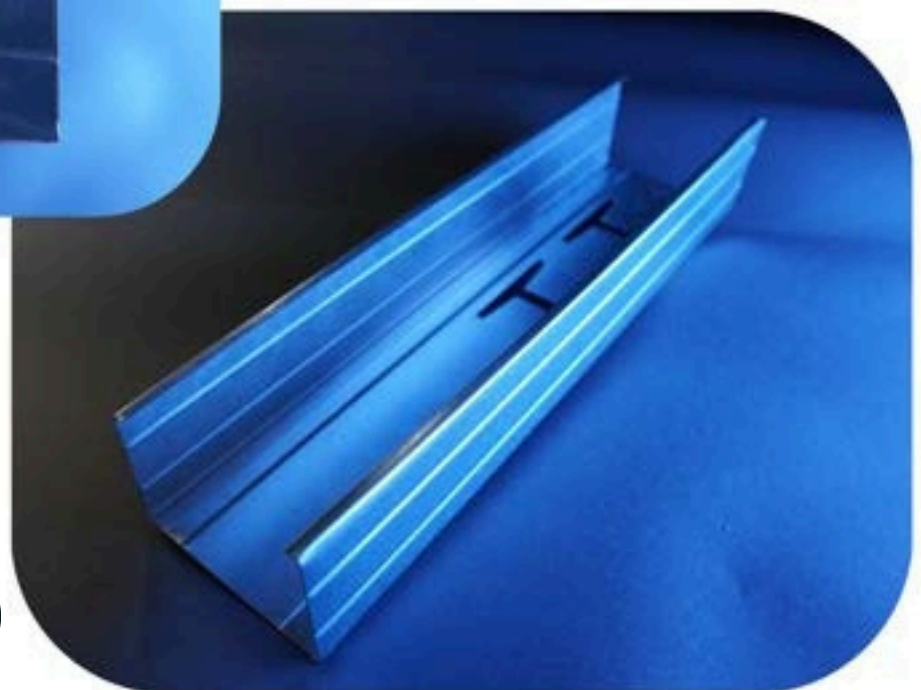
Height: 40 mm

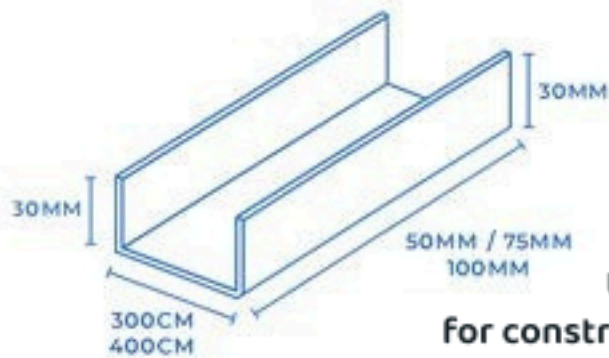
Length: 300 cm / 400 cm

Pack: 8 pcs / 1

Auto Bundle: 144pcs / 1 (50mm width)

Auto Bundle: 96pcs / 1 (75 mm/100mm width)

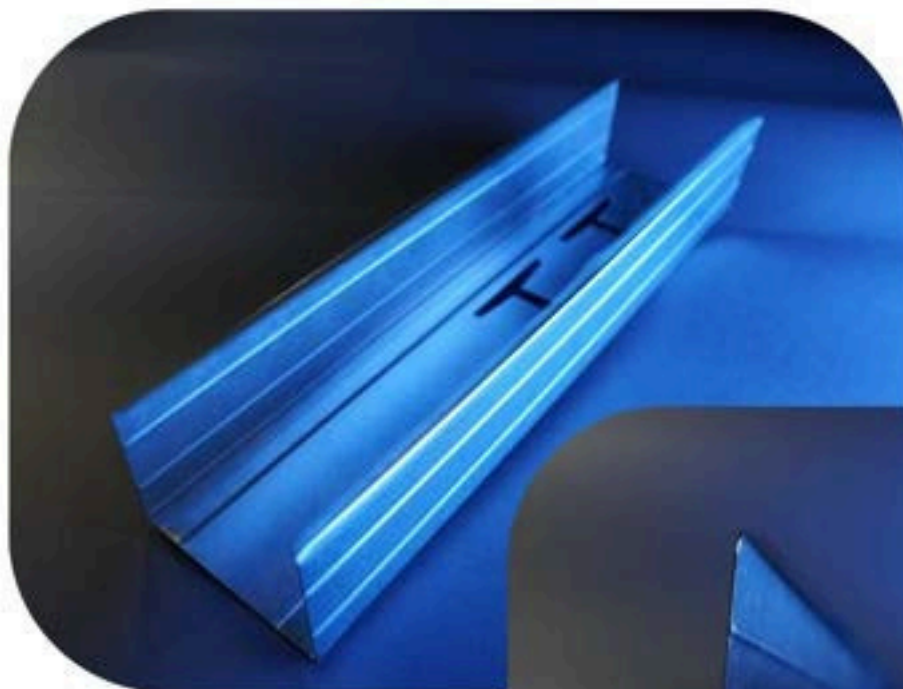




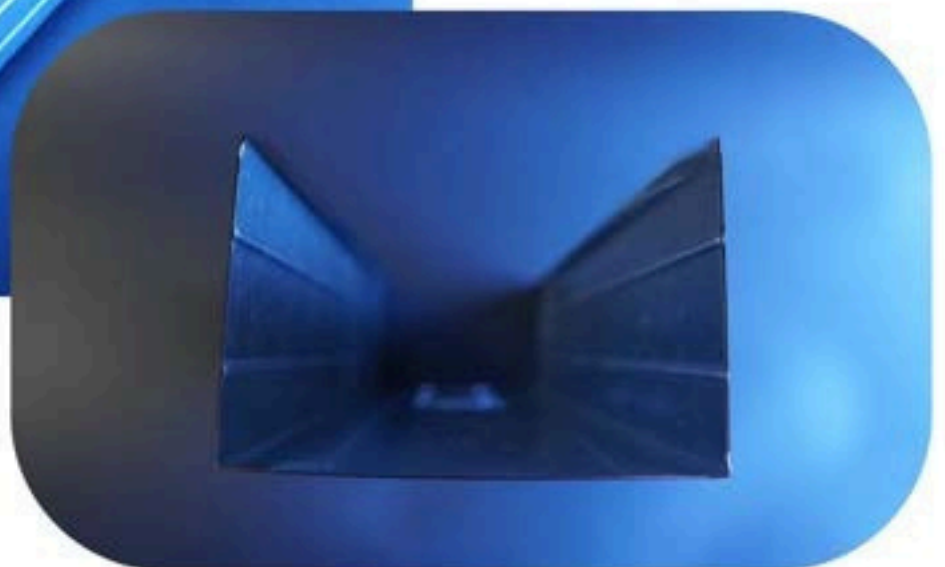
Kartel UW PROFILE

UW profiles are used together with CW profiles for constructing partition walls, wall cladding, and attics. The U-shape allows easy insertion and firm hold of CW profiles. They are made of galvanized sheet metal and come in widths of 50, 75, and 100 mm.

- UW profiles are produced in:
BASIC (0.50 mm), SUPER (0.60 mm)
Available in three variants:
- UW PROFILE 50 (3m / 4m)
 - UW PROFILE 75 (3m / 4m)
 - UW PROFILE 100 (3m / 4m)



Material: Galvanized sheet DX51D + Z100



Widths: 50 mm / 75 mm / 100 mm
Height: 30 mm
Length: 300 cm / 400 cm
Pack: 8 pcs / 1
Auto Bundle: 144pcs / 1 (50mm width)
Auto Bundle: 96pcs / 1 (75mm / 100mm width)

**UA Profiles 50 / 75 / 100 – 2 mm
Galvanized Steel – Door Frame Support**



**Brackets for Exterior Façades – 5 mm
Galvanized & Black Steel**



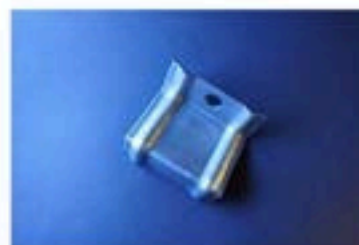
**Snow Guard Brackets – 0.80 mm / Z100
Galvanized Steel**



**Brackets for Solar Panels – 0.80 mm / Z100
Galvanized Steel**



**Solar Panel Mounting Brackets – 0.80 mm / Z100
Galvanized Steel**



**Brackets for Horizontal Gutters – 5 mm
Hot-Rolled or Galvanized Steel**



**Trapezoidal Sheet – 0.50 mm
Plastic-Coated Steel**



**Exterior Corner Trim – 0.50 mm
Plastic-Coated Steel (Various Colors)**



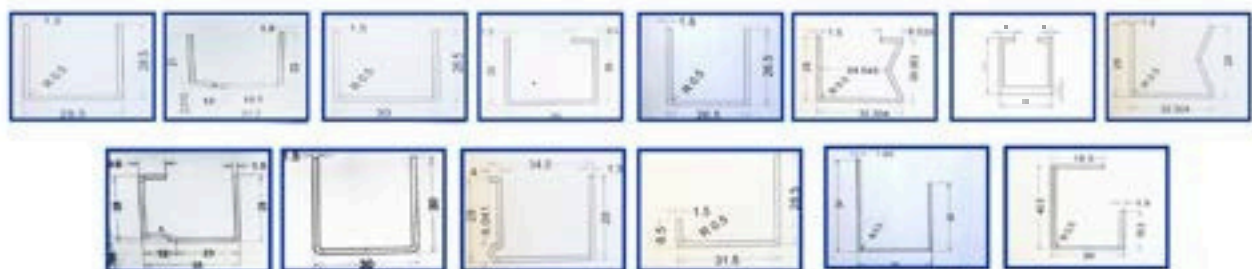
**Horizontal Gutter Cover – 0.50 mm
Plastic-Coated Steel**



**Horizontal Gutter – 0.50 mm
Plastic-Coated Steel**



Kartel DOOEL offers the production of PVC profiles in accordance with European quality standards BS EN 14195:2005 and CE certification.



**PVC support profiles with thickness from 1 mm to 2 mm,
width from 18 mm to 60 mm, and
height from 0.8 cm to 6 cm.**

